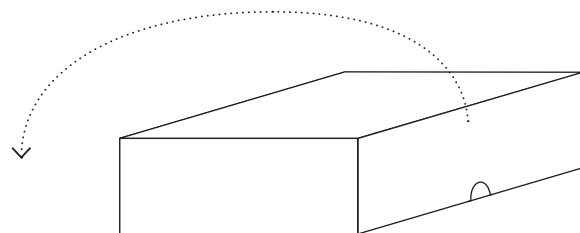


## CARDBOARD DISPLAY BOX

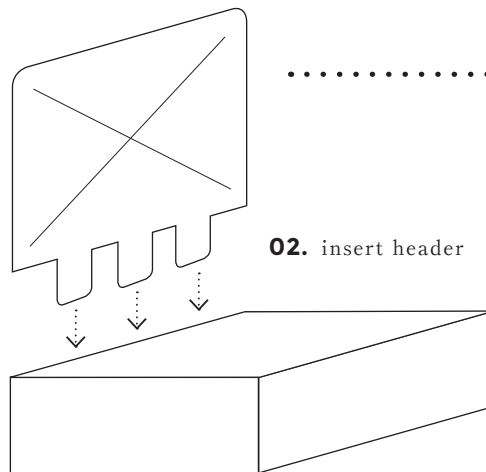
### + FOLLOW THE INSTRUCTIONS

Step by step make your display.

- 01.** empty the shipper and tip upside down



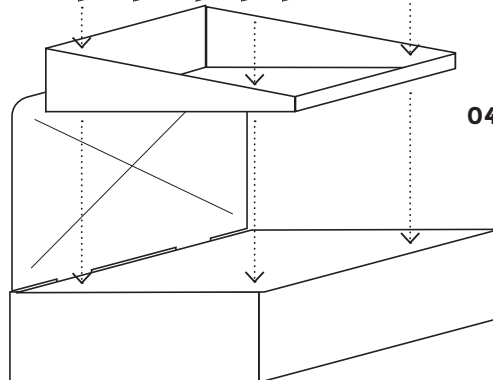
- 02.** insert header



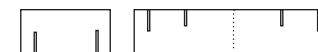
- 03.** organise cards with dividers and place into card holder



- 04.** place these onto the box

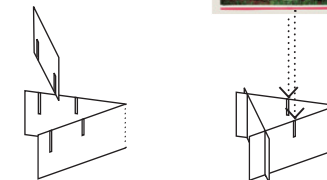


## CARD DISPLAY HOLDERS



- 05.** make the card holders

- 06.** place the cards in the slots that you want to display



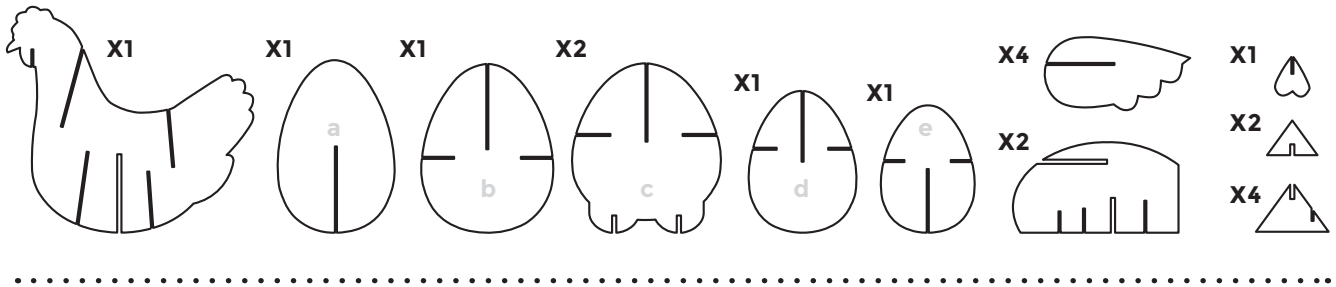
- 07.** use all these to set up and merchandise yourself a display stand



# CARDBOARD CHICKEN INSTRUCTIONS

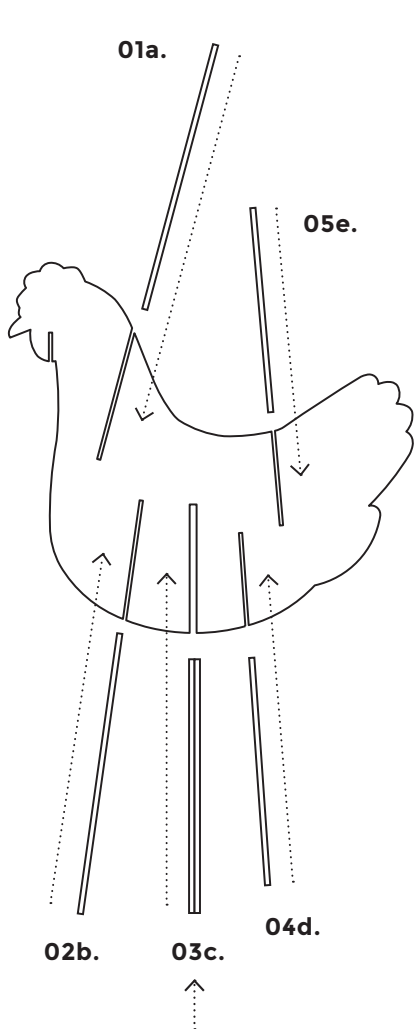
## + THIS IS WHAT MAKES UP YOUR CHICKEN

Check you have all the pieces before making your chicken.

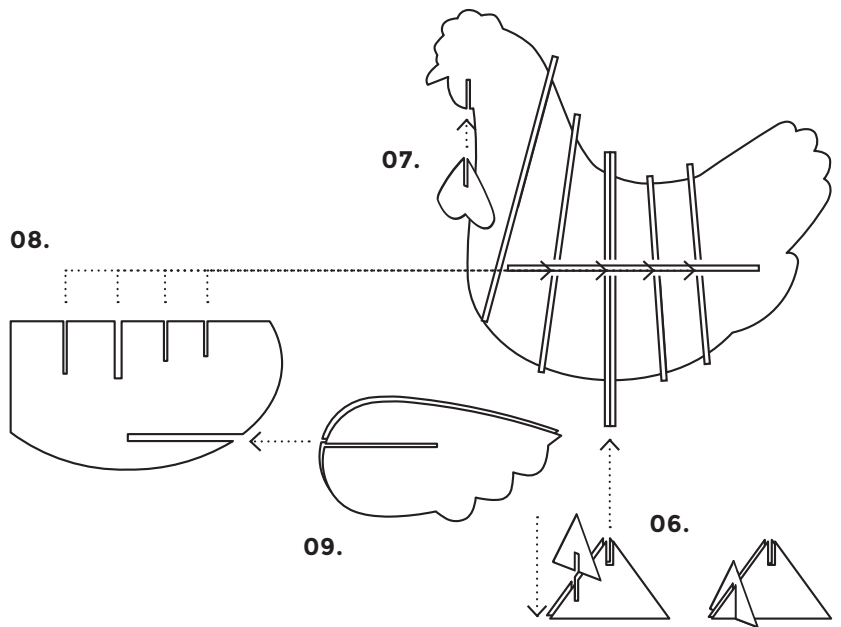


## + FOLLOW THE INSTRUCTIONS

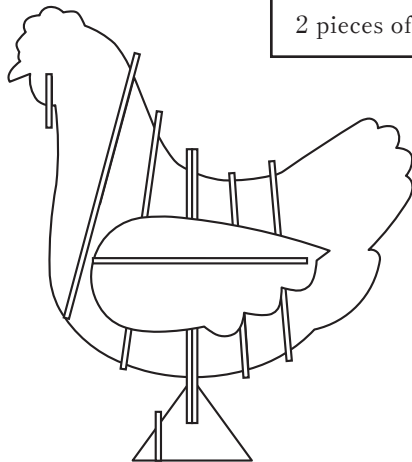
Step by step slot together your chicken, take note of the pieces labeled a-e and match them with the slot ins below.



You will notice piece C has 2 pieces that both need to slot into the body.



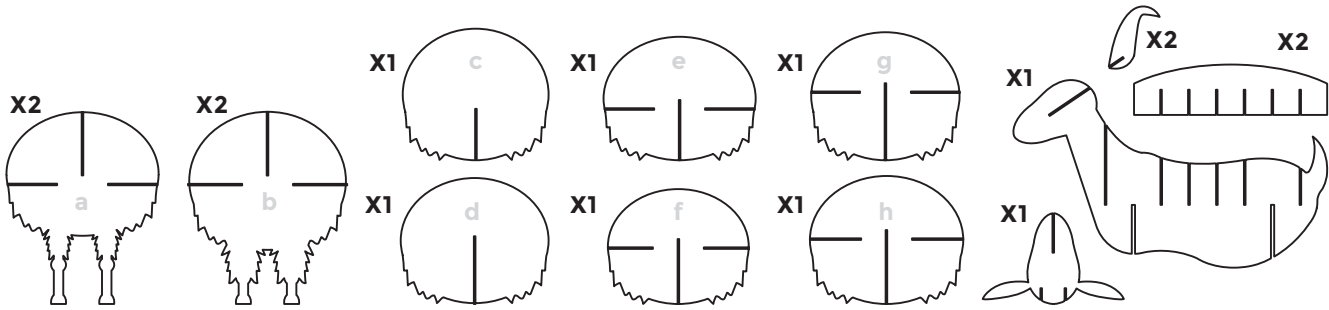
Take note that the feet, legs and wings have 2 pieces of cardboard that slot together.



# CARDBOARD GOAT INSTRUCTIONS

## + THIS IS WHAT MAKES UP YOUR GOAT

Check you have all the pieces before making your goat.



## + FOLLOW THE INSTRUCTIONS

Step by step slot together your goat, take note of the pieces labeled a-h and match them with the slot ins below.

Notice the body pieces with side slots are all in the center.

This slides onto pieces a, b, e, f, g, h. Front and back have no side slots.

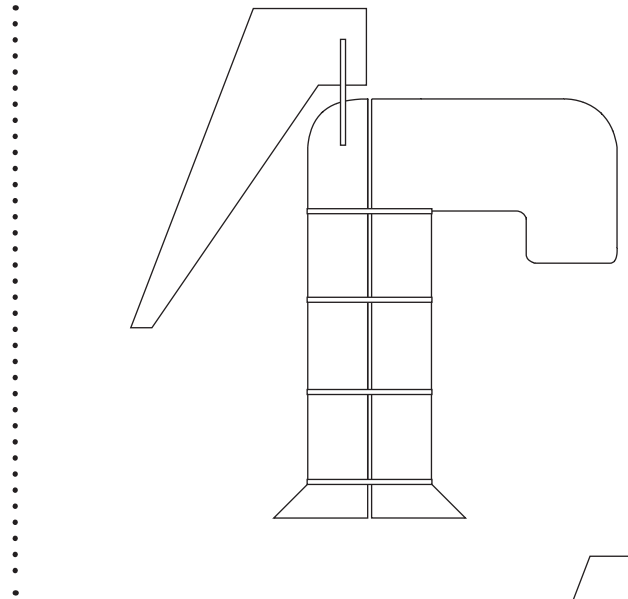
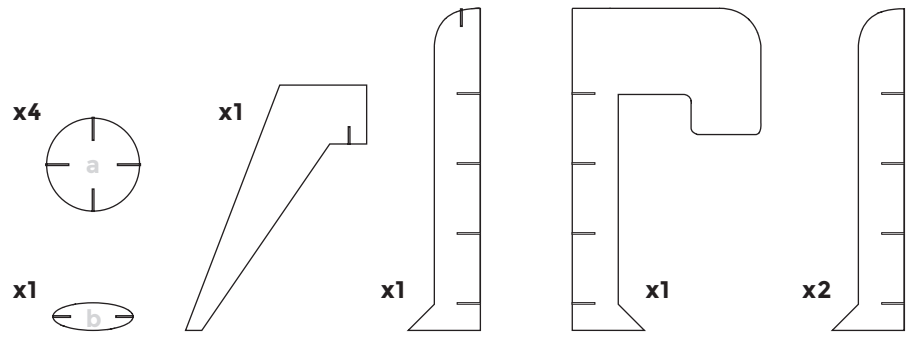
Take note that the FRONT LEGS are long and the BACK LEGS are short.

**PLEASE RECYCLE YOUR OFFCUTS**

# CARDBOARD TAP INSTRUCTIONS

## + THIS IS WHAT MAKES UP YOUR TAP

Check you have all the piece.



## + FOLLOW THE INSTRUCTIONS

Step by step slot together your tap.

